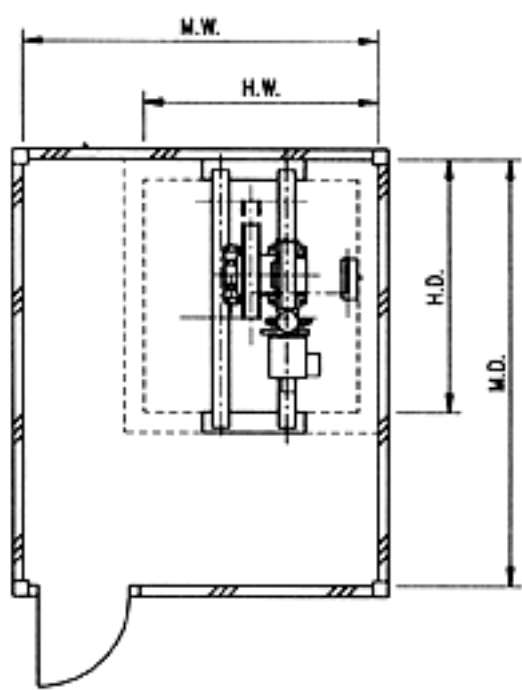
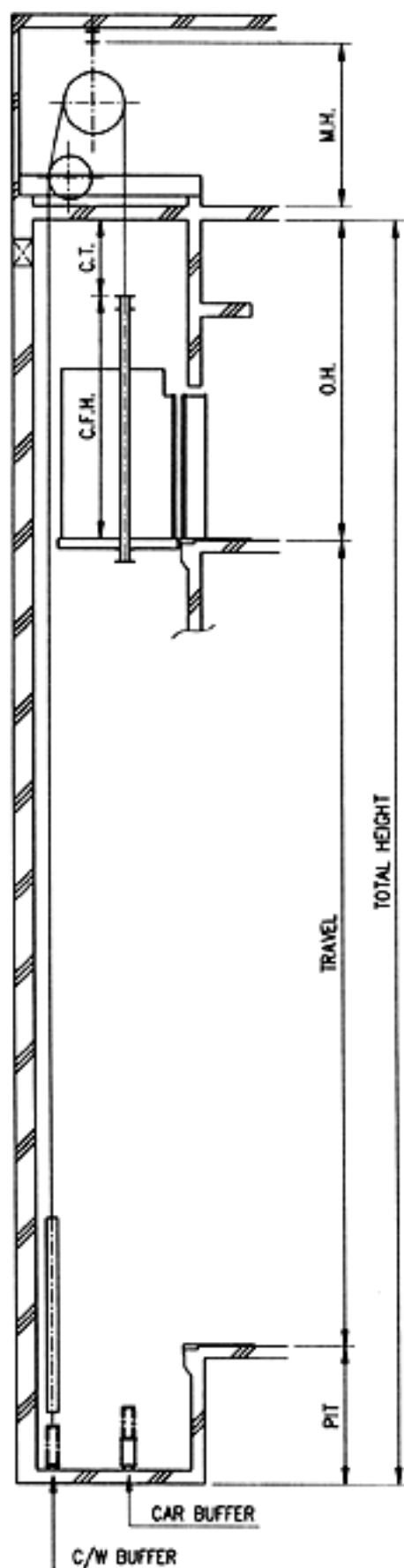
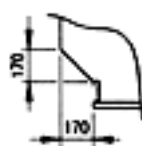
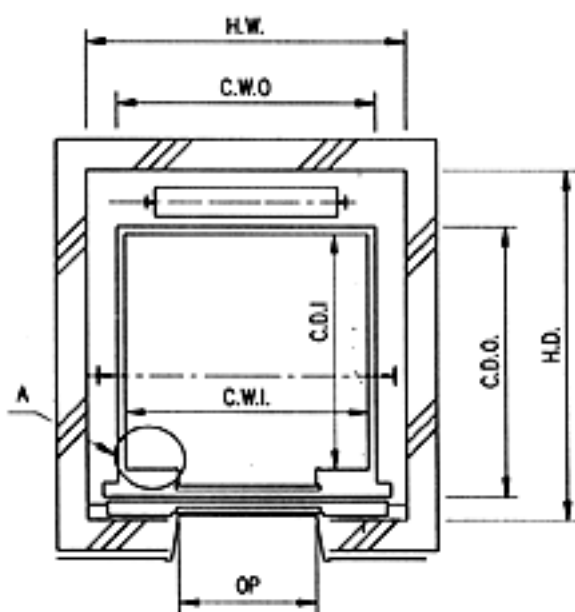


TYPICAL LAYOUT PLAN



MACHINE ROOM PLAN



TYPE I

TYPE II
(P10 & P11 ONLY)

DETAIL A

HOISTWAY PLAN

HOISTWAY ELEVATION