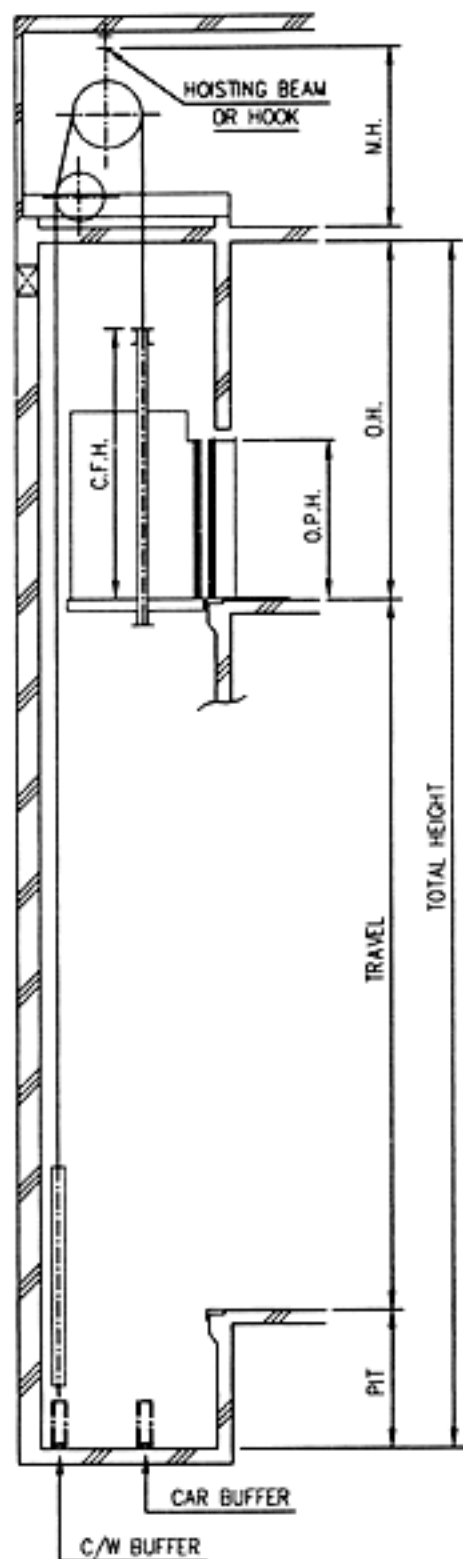
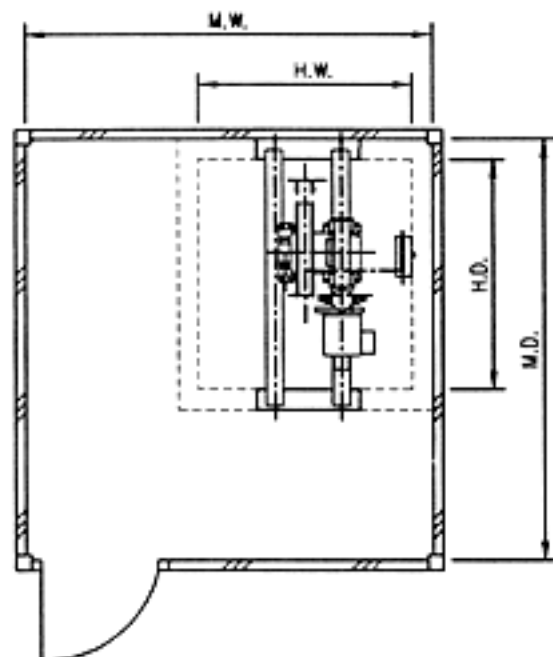


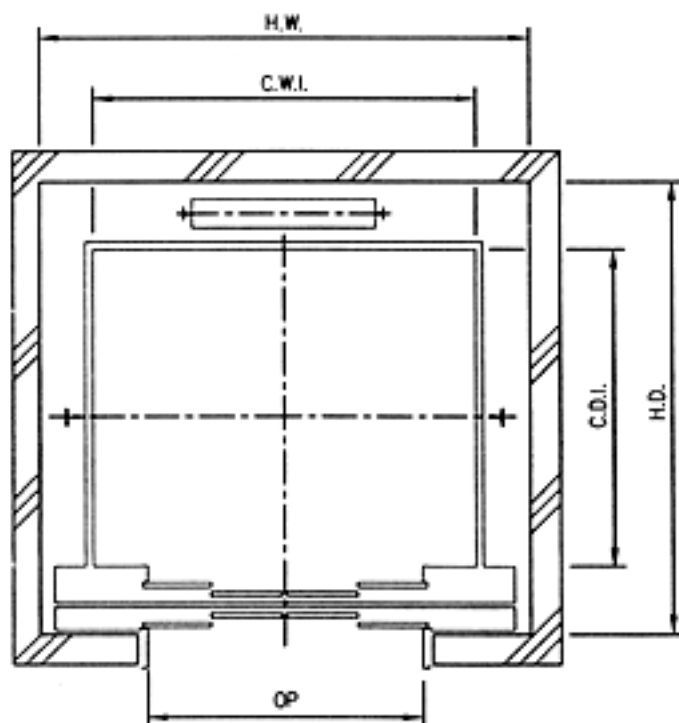
# TYPICAL LAYOUT PLAN B



**HOISTWAY ELEVATION**



**MACHINE ROOM PLAN**



**HOISTWAY PLAN**

(4CO DOOR)